

# J BASSW C

# JAVA Tap Range

Java Basin Mixer with Side Action Pop-up Waste Chrome



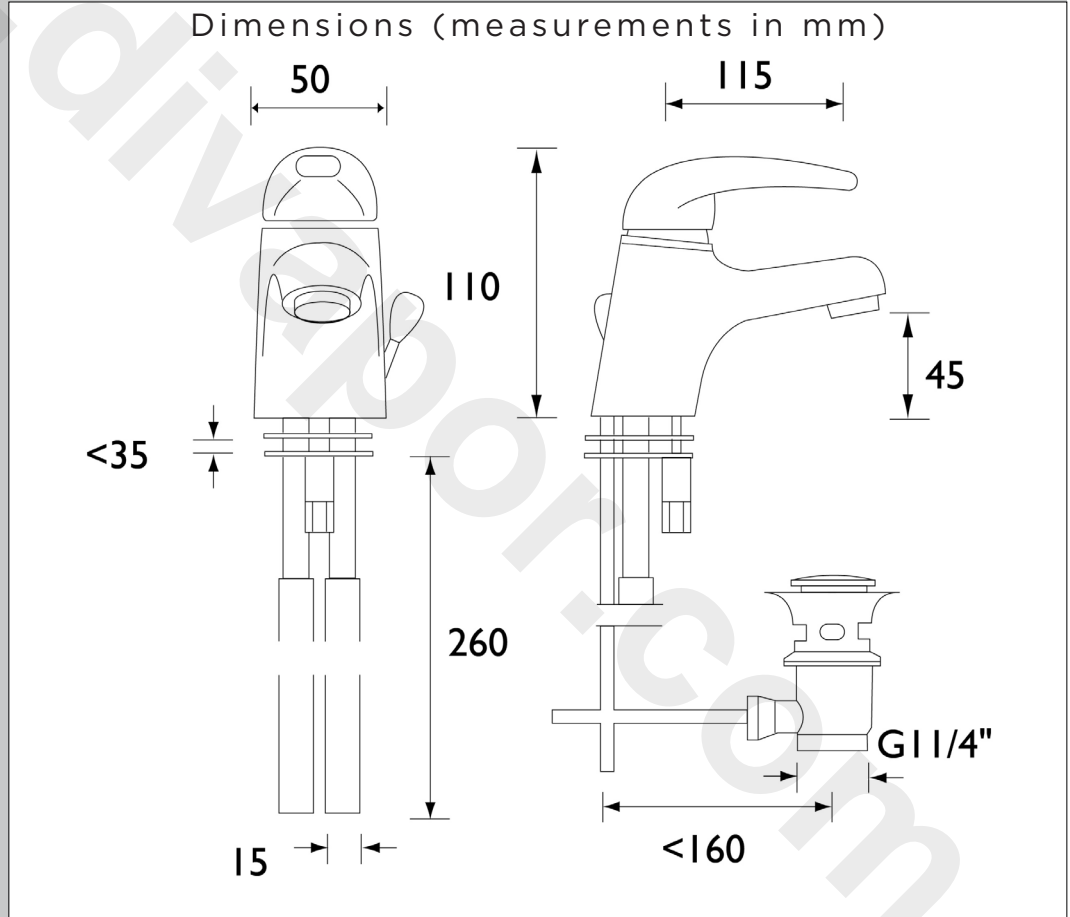
## Specification

<b>Product Type:</b>	Bathroom Tap
<b>Main Construction Material:</b>	Brass
<b>Mount Type:</b>	Deck Mounted
<b>Handle Type:</b>	Single Lever
<b>Connection Inlet:</b>	M10x400mm x 1/2" BSP Flexi Tails
<b>Connection Outlet:</b>	M24 Flow Straightener
<b>Number of Tap Holes:</b>	1
<b>Valve/Cartridge Type:</b>	40mm Ceramic Cartridge
<b>Plumbing System Requirements:</b>	All - Ideally Balanced
<b>Working Pressure Range:</b>	Min. 0.2 Bar - Max. 8.0 Bar
<b>Maximum Hot Water Temperature: °C</b>	60
<b>Maximum Static Pressure: (bar)</b>	10
<b>Flow Type:</b>	Single Flow
<b>Isolation Included:</b>	No

## Features:

- Long life ceramic cartridge for added durability and ease of use
- Metal fixing nut for added durability
- Side-action pop-up waste included

## Product Certifications:



## Flow Rates (l/min)

System Pressure (bar)	0.2	0.5	1	2	3	5
J BASSW C (Mixed)	6.77	11.38	16.26	23.33	28.34	37.41

For more products, visit our website:  
<http://www.bristan.com>



TECHNICAL  
DATA  
SHEET



**BRISTAN**

D8